

## ELECTRIC TANKLESS WATER HEATERS

2/04

**MODELS:** Advanced microprocessing temperature control with LED display and external finger tip adjustment.

### SINGLE HEATING MODULE

Model	Volts	kW	Amps	TEMP RISE °F AT		
				1 GPM	2 GPM	3 GPM
EX2412T DR	120V	2.4kW	20A	16°	8°	5°
EX3012T DR	120V	3.0kW	25A	20°	10°	7°
EX3512T DR	120V	3.5kW	29A	24°	12°	8°
EX8208T DR	208V	8.3kW	40A	57°	28°	19°
EX55T DR	240V*	5.5kW	23A	38°	19°	13°
EX65T DR	240V*	6.5kW	27A	44°	22°	15°
EX75T DR	240V*	7.5kW	32A	51°	26°	17°
EX95T DR	240V*	9.5kW	40A	65°	32°	22°
EX60T DR	277V	6.0kW	22A	41°	21°	14°
EX80T DR	277V	8.0kW	29A	55°	27°	18°
EX90T DR	277V	9.0kW	32A	61°	31°	20°
EX100T DR	277V	10.0kW	36A	68°	34°	23°

\*Units can be used at 208V with 25% reduced output.



DR (Single Module)

### DUAL HEATING MODULE

Model	Volts	kW	Amps	TEMP RISE °F AT		
				1.5 GPM	2 GPM	3 GPM
EX144T DR	240V	15.0kW	64(2x32)A	102°	51°	34°
EX190T DR	240V	19.0kW	80(2x40)A	130°	65°	43°
EX160T DR	277V	16.0kW	58(2x29)A	109°	55°	36°
EX200T DR	277V	20kW	72(2x36)A	137°	68°	46°

#### OPTIONS

- T = Series turn on .7 GPM
- T2 = Parallel turn on 1.3 GPM



DR (Dual Module)

### TRIPLE HEATING MODULE

Model	Volts	kW	Amps	TEMP RISE °F AT		
				1 GPM	2 GPM	3 GPM
<b>THREE PHASE</b>						
EX180T3,T2T,DR	208/120V (no neutral leg)	18kW	50A/phase	82°	61°	41°
EX240T3,T2T,DR	208/120V (no neutral leg)	24kW	67A/phase	109°	82°	54°
EX180T3,T2T,DR	480Y/277V (neutral leg required)	18kW	22A/phase	82°	61°	41°
EX240T3,T2T,DR	480Y/277V (neutral leg required)	24kW	29A/phase	109°	82°	54°
EX320T3,T2T,DR	480Y/277V (neutral leg required)	32kW	39A/phase	145°	109°	73°
<b>SINGLE PHASE</b>						
EX280T DR	240V/277V (neutral leg required)	28kW	120(3x40)A	127°	95°	64°

- #### OPTIONS
- T2T = Series turn on .7 GPM
  - T3 = Parallel turn on 1.6 GPM



DR (Triple Module)

#### SPECIFICATION OPTIONS (all models)

- S = Sanitation setting 180°
- P = Photo setting ambient to 100°
- EE = Tepid water ANSI Z358.1 (60° - 95°)

#### APPLICATIONS (all models):

- Photo Processing
- Schools
- Nursing Homes
- Laboratories
- Showers
- Boosters (to 180° sanitation)
- Antiscald Protection
- Residential

**ADVANCED TECHNOLOGY • HIGHEST EFFICIENCY • DESIGNED FOR DURABILITY**

**Made In USA** 

### QUALITY FEATURES

- **Fully Adjustable Temperature Range between 100-140°F.** - Special settings of higher or lower range available upon request. (ambient to 180°)
- **Eliminate costly mixing valves.**
- **On Demand Hot Water** - no delay.
- **Continuous Hot Water** - no storage capacity to run out.
- **Reduces Installation Cost** - no T & P relief valve needed (check local codes).
- **Easy Installation** - only one cold water line need be brought to installation - integral 1/2" compression fittings (5/8 OD) on bottom (no sweat connections).
- **Cut Energy Waste** - flow switch activates heater only on demand (no standby heat loss).
- **External Thermostatic control** reduces wide temperature fluctuation.
- **Ni Chrome Element** - a unique, patented flow path ensures optimum heat transfer and extended element life.
- **Compact Size** - dimensions; 10"x9"x3" Single 6.5 lbs  
10"x12"x3 5/8" Dual 8 lbs  
15"x12"x4 1/4" Triple 11 lbs
- **Convenient** external temperature control with LED display.
- **Space Saving Installation** - point-of-use.
- **Field Serviceable Elements** - replaceable cartridge element. (1 year warranty)
- **Designed for Durability**
- **Warranty** - Full Factory Warranty - Heaters are guaranteed against failure due to leaks of "Heater Body/Element Assembly" for a period of TEN YEARS.
- Unit must be wall mounted.

**SUGGESTED SPECIFICATION** Tankless Water Heater shall be an Eemax Digital Readout Model \_\_\_\_\_ with \_\_\_\_\_ kW \_\_\_\_\_ vac, \_\_\_\_\_ Unit shall have glass reinforce heating body. Element shall be replaceable cartridge insert constructed of iron free Nickel Chrome wire. Heater shall be equipped with external thermostatic micro processing temperature control module and LED readout or approved equal.



## RATINGS OF "DIGITAL READOUT" MODELS (cold or hot feed)

### SINGLE HEATING MODULE Standard .7 GPM turn on

MODEL	VOLTS	kW	AMPS	TEMPERATURE RISE °F					Recommended Wire Size
				0.5 GPM	0.75 GPM	1.0 GPM	1.5 GPM	2.0 GPM	
EX2412T DR	120V	2.4kW	20A	33°	22°	16°	11°	8°	10 AWG
EX3012T DR	120V	3.0kW	25A	41°	27°	20°	14°	10°	10 AWG
EX3512T DR	120V	3.5kW	29A	48°	32°	24°	16°	12°	10 AWG
EX8208T DR	208V	8.3kW	40A	38°	76°	57°	38°	28°	8 AWG
EX55T DR	240V	5.5kW	23A	25°	50°	38°	25°	19°	10 AWG
EX65T DR	240V	6.5kW	27A	89°	59°	44°	30°	22°	10 AWG
EX75T DR	240V	7.5kW	32A	34°	68°	51°	34°	26°	8 AWG
EX95T DR	240V	9.5kW	40A	43°	87°	65°	43°	32°	8 AWG
EX60T DR	277V	6.0kW	22A	81°	55°	41°	27°	21°	10 AWG
EX80T DR	277V	8.0kW	29A	109°	73°	55°	36°	27°	10 AWG
EX90T DR	277V	9.0kW	32A	122°	82°	61°	41°	31°	8 AWG
EX100T DR	277V	10.0kW	36A	136°	91°	68°	46°	34°	8 AWG

\* Units can be used at 208V with 25% reduced output

### DUAL HEATING MODULE

MODEL	VOLTS	kW	AMPS	TEMPERATURE RISE °F					Recommended Wire Size
				1.0 GPM	2.0 GPM	2.5 GPM	3.0 GPM	4.0 GPM	
EX144T DR	240V	15.0kW	64(2x32)A	102°	51°	41°	34°	26°	8 AWG per module
EX190T DR	240V	19.0kW	80(2x40)A	130°	65°	52°	43°	32°	8 AWG per module
EX160T DR	277V	16.0kW	58(2x29)A	109°	55°	44°	36°	27°	10 AWG per module
EX200T DR	277V	20kW	72(2x36)A	137°	68°	54°	46°	34°	8 AWG per module

\* Units can be used at 208V with 25% reduced output

**OPTIONS:**  T2= Parallel, turn on 1.3 GPM  
 T = Series, turn on .7 GPM

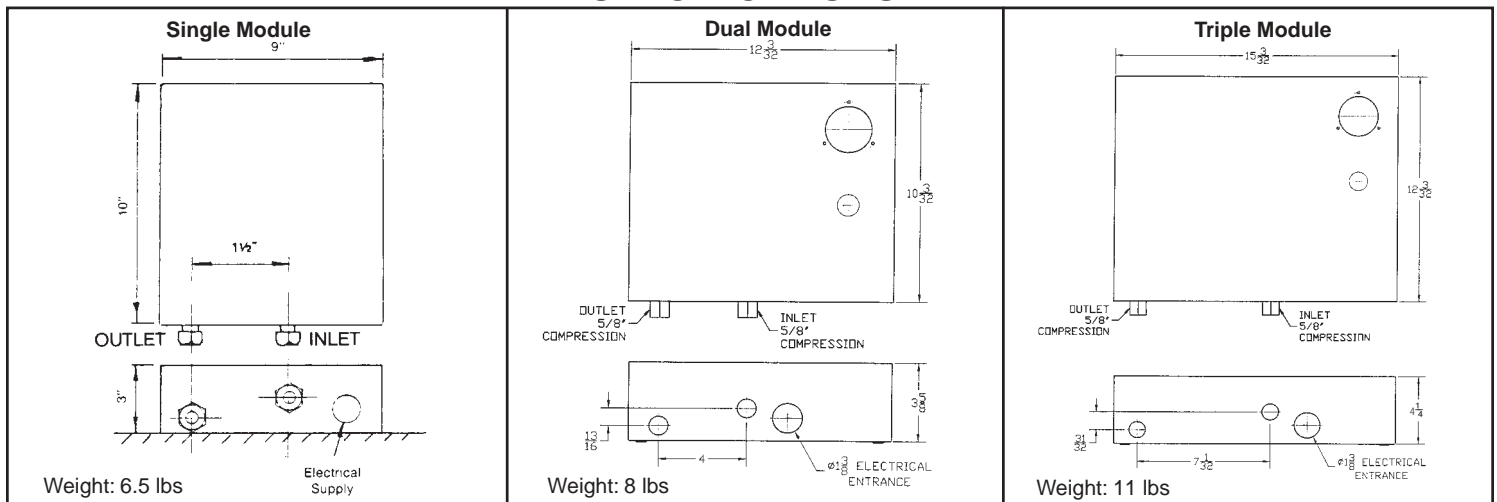
### TRIPLE HEATING MODULE

MODEL	VOLTS	kW	AMPS	TEMPERATURE RISE °F						Recommended Wire Size
				1.5 GPM	2.0 GPM	2.5 GPM	3.0 GPM	4.0 GPM	5.0 GPM	
EX180T DR	208V/120V Delta-no neutral leg	18kW	50A/phase	82°	61°	49°	41°	32°	25°	6 AWG per module
EX240T DR	208V/120V Delta-no neutral leg	24kW	67A/phase	109°	82°	65°	54°	43°	34°	6 AWG per module
EX280T DR	240V Single Phase	28kW	120(3x40)A	127°	95°	76°	64°	48°	38°	8 AWG per module
EX180T DR	480Y/277V Neutral leg required	18kW	21.7A/phase	82°	61°	49°	41°	32°	25°	10 AWG per module
EX240T DR	480Y/277V Neutral leg required	24kW	28.9A/phase	109°	82°	65°	54°	43°	34°	10 AWG per module
EX320T DR	480Y/277V Neutral leg required	32kW	38.5A/phase	145°	109°	87°	73°	58°	45°	8 AWG per module

\* Units can be used at 208V with 25% reduced output

**OPTIONS:**  T3= Parallel, turn on 1.6 GPM  
 T = Series, turn on .7 GPM

### SPECIFICATIONS:



Color: Matt Black

Element: Replaceable cartridge insert

UL Listed: E86887(M)

**SPECIAL DESIGN SERVICE** INQUIRIES FOR UNITS FOR UNIQUE APPLICATIONS ARE WELCOME. CALL OUR TECHNICAL SERVICE DEPT. 1-800-543-6163.

### EEMAX SUBMITTAL

Engineer/Architect: \_\_\_\_\_  
 Job Name/Customer: \_\_\_\_\_  
 Location: \_\_\_\_\_  
 Contractor: \_\_\_\_\_  
 Representative: \_\_\_\_\_  
 HEATER SPECIFICATIONS:

Digital Readout Model # EX \_\_\_\_\_ DR \_\_\_\_\_ Option \_\_\_\_\_ Quantity \_\_\_\_\_ kW \_\_\_\_\_ Voltage \_\_\_\_\_ AMPS \_\_\_\_\_ GPM \_\_\_\_\_

**Eemax® Inc.**

353 Christian Street, Oxford, CT 06478

www.eemax.com

Telephone: (203) 267-7890

TOLL FREE: 1-800-543-6163

FAX: (203) 267-7975