



"DIGITAL READOUT"

EXTERNAL MICRO PROCESSING TEMPERATURE CONTROL

ELECTRIC TANKLESS WATER HEATERS *Instant Comfort...Endless Savings*

MODELS: Advanced microprocessing temperature control with LED display and external finger tip adjustment.

SINGLE HEATING MODULE

Model	Volts	kW	Amps	TEMP RISE °F AT		
				1 GPM	2 GPM	3 GPM
EX2412T DR	120V	2.4kW	20A	16°	8°	5°
EX3012T DR	120V	3.0kW	25A	20°	10°	7°
EX3512T DR	120V	3.5kW	29A	24°	12°	8°
EX8208T DR	208V	8.3kW	40A	57°	28°	19°
EX55T DR	240V*	5.5kW	23A	38°	19°	13°
EX65T DR	240V*	6.5kW	27A	44°	22°	15°
EX75T DR	240V*	7.5kW	32A	51°	26°	17°
EX95T DR	240V*	9.5kW	40A	65°	32°	22°
EX60T DR	277V	6.0kW	22A	41°	21°	14°
EX80T DR	277V	8.0kW	29A	55°	27°	18°
EX90T DR	277V	9.0kW	33A	61°	31°	20°
EX100T DR	277V	10.0kW	36A	68°	34°	23°

*Units can be used at 208V with 25% reduced output.



DR (Single Module)

DUAL HEATING MODULE

Model	Turn On Options	Volts	kW	Amps	TEMP RISE °F AT		
					1.5 GPM	2 GPM	3 GPM
EX120TC DR	T,T2	240V	11.5kW	48A	52°	39°	26°
EX144T DR	T,T2	240V	15.0kW	64(2x32)A	102°	51°	34°
EX190T DR	T,T2	240V	19.0kW	80(2x40)A	130°	65°	43°
EX160T DR	T,T2	277V	16.0kW	58(2x29)A	109°	55°	36°
EX200T DR	T,T2	277V	20.0kW	72(2x36)A	137°	68°	46°
EX1608T DR	T,T2	208V	16.6kW	80(2x40)A	75°	57°	38°

TURN ON OPTIONS

- T = Series turn on .7 GPM, max 3 GPM
- T2 = Parallel turn on 1.3 GPM, max 4 GPM



DR (Dual Module)

TRIPLE HEATING MODULE

Model	Turn On Options	Volts	THREE PHASE kW	Amps	TEMP RISE °F AT		
					1 GPM	2 GPM	3 GPM
EX180DR	T3,T2T	208/120V	(no neutral leg) 18kW	50A/phase	82°	61°	41°
EX240DR	T3,T2T	208/120V	(no neutral leg) 24kW	67A/phase	109°	82°	54°
EX180DR	T3,T2T	480Y/277V	(neutral leg required) 18kW	22A/phase	82°	61°	41°
EX240DR	T3,T2T	480Y/277V	(neutral leg required) 24kW	29A/phase	109°	82°	54°
EX320DR	T3,T2T	480Y/277V	(neutral leg required) 32kW	39A/phase	—	109°	73°
			SINGLE PHASE				
EX280DR	T3,T2T	240V	28kW	120(3x40)A		95°	64°

TURN ON OPTIONS

- T2T = Series turn on .7 GPM, max 3.5 GPM
- T3 = Parallel turn on 1.6 GPM, max 5 GPM



DR (Triple Module)

THERMOSTATIC SPECIFICATION OPTIONS (all models)

- S = Sanitation setting 180°
- P = Photo setting ambient to 100°
- EE = Tepid water ANSI Z358.1 (60° - 95°)

APPLICATIONS (all models):

- Photo Processing
- Schools
- Nursing Homes
- Laboratories
- Showers
- Boosters (to 180° sanitation)
- Antiscald Protection
- Residential

ADVANCED TECHNOLOGY • HIGHEST EFFICIENCY • DESIGNED FOR DURABILITY

Made In USA

QUALITY FEATURES

- **Fully Adjustable Temperature Range between 100-140°F.** - Special settings of higher or lower range available upon request. (ambient to 180°)
- **Eliminate costly mixing valves.**
- **On Demand Hot Water** - no delay.
- **Continuous Hot Water** - no storage capacity to run out.
- **Reduces Installation Cost** - no T & P relief valve needed (check local codes).
- **Easy Installation** - only one cold water line need be brought to installation - integral 1/2" compression fittings (5/8" OD) on bottom (no sweat connections).
- **Cut Energy Waste** - flow switch activates heater only on demand (no standby heat loss).
- **External Thermostatic control** reduces wide temperature fluctuation.
- **Ni Chrome Element** - a unique, patented flow path ensures optimum heat transfer and extended element life.
- **Compact Size** - dimensions: 10"x9"x3" Single 6.5 lbs
10"x12"x3 5/8" Dual 8 lbs
15"x12"x4 1/4" Triple 11 lbs
- **Convenient** external temperature control with LED display.
- **Space Saving Installation** - point-of-use.
- **Field Serviceable Elements** - replaceable cartridge element. (1 year warranty)
- **Designed for Durability**
- **Warranty** - Full Factory Warranty - Heaters are guaranteed against failure due to leaks of "Heater Body/Element Assembly" for a period of FIVE YEARS.
- Unit must be wall mounted.
- **High Temperature Limit Switch** - protects against element burn out, with reset button
- **LEED Certified**

SUGGESTED SPECIFICATION Tankless Water Heater shall be an Eemax Digital Readout Model _____ with _____ kW _____ vac, _____ Unit shall have glass reinforce heating body. Element shall be replaceable cartridge insert constructed of iron free Nickel Chrome wire. Heater shall be equipped with external thermostatic micro processing temperature control module and LED readout or approved equal.



MADE IN USA

RATINGS OF "DIGITAL READOUT" MODELS (cold or hot feed)



SINGLE HEATING MODULE Standard .7 GPM turn on

MODEL	THERMOSTATIC OPTIONS	VOLTS	kW	AMPS	TEMPERATURE RISE °F					Recommended Wire Size
					0.5 GPM	0.75 GPM	1.0 GPM	1.5 GPM	2.0 GPM	
EX2412T DR	S,P	120V	2.4kW	20A	33°	22°	16°	11°	8°	10 AWG
EX3012T DR	S,P	120V	3.0kW	25A	41°	27°	20°	14°	10°	10 AWG
EX3512T DR	S,P	120V	3.5kW	29A	48°	32°	24°	16°	12°	10 AWG
EX8208T DR	S,PEE	208V	8.3kW	40A	38°	76°	57°	38°	28°	8 AWG
EX55T DR	S,PEE	240V	5.5kW	23A	25°	50°	38°	25°	19°	10 AWG
EX65T DR	S,PEE	240V	6.5kW	27A	89°	59°	44°	30°	22°	10 AWG
EX75T DR	S,PEE	240V	7.5kW	32A	34°	68°	51°	34°	26°	8 AWG
EX95T DR	S,PEE	240V	9.5kW	40A	43°	87°	65°	43°	32°	8 AWG
EX60T DR	S,PEE	277V	6.0kW	22A	81°	55°	41°	27°	21°	10 AWG
EX80T DR	S,PEE	277V	8.0kW	29A	109°	73°	55°	36°	27°	10 AWG
EX90T DR	S,PEE	277V	9.0kW	32A	122°	82°	61°	41°	31°	8 AWG
EX100T DR	S,PEE	277V	10.0kW	36A	136°	91°	68°	46°	34°	8 AWG

* Units can be used at 208V with 25% reduced output

DUAL HEATING MODULE

MODEL	TURN ON OPTIONS	THERMOSTATIC OPTIONS	VOLTS	kW	AMPS	TEMPERATURE RISE °F					Recommended Wire Size
						1.0 GPM	2.0 GPM	2.5 GPM	3.0 GPM	4.0 GPM	
EX120TC DR	T,T2	S,PEE	240V	11.5kW	48A	78°	39°	31°	26°	19°	8 AWG per module
EX144T DR	T,T2	S,PEE	240V	15.0kW	64(2x32)A	102°	51°	41°	34°	26°	8 AWG per module
EX190T DR	T,T2	S,PEE	240V	19.0kW	80(2x40)A	130°	65°	52°	43°	32°	8 AWG per module
EX160T DR	T,T2	S,PEE	277V	16.0kW	58(2x29)A	109°	55°	44°	36°	27°	10 AWG per module
EX200T DR	T,T2	S,PEE	277V	20kW	72(2x36)A	137°	68°	54°	46°	34°	8 AWG per module

TURN ON OPTIONS: T2 = Parallel, turn on 1.3 GPM, max 4 GPM
 T = Series, turn on .7 GPM, max 3 GPM

* Units can be used at 208V with 25% reduced output

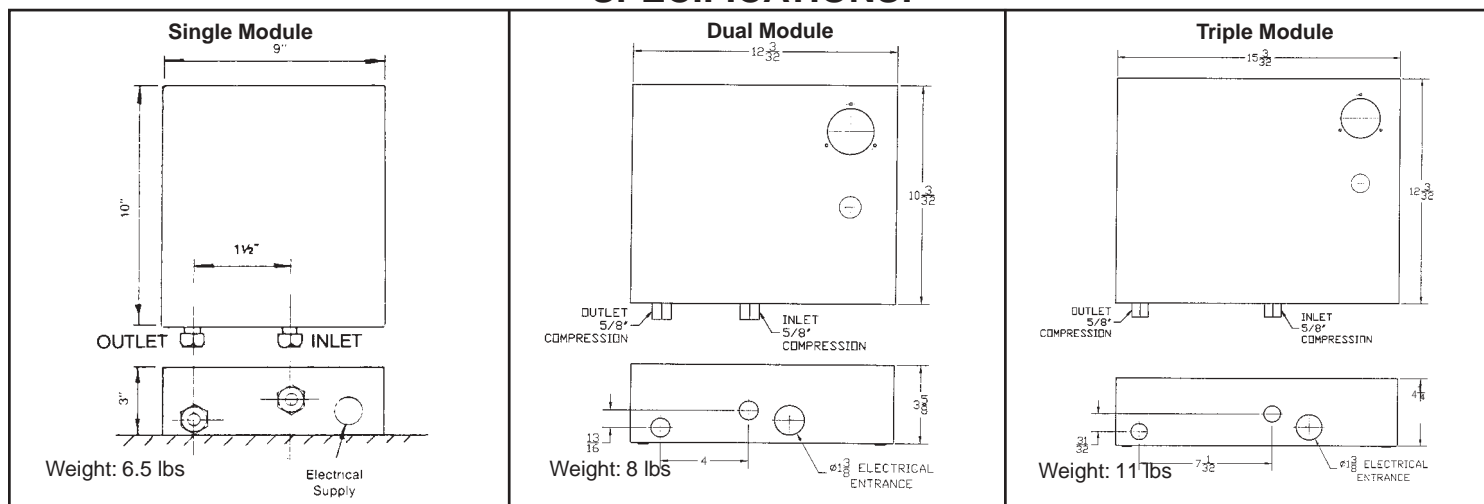
TRIPLE HEATING MODULE

MODEL	TURN ON OPTIONS	THERMOSTATIC OPTIONS	VOLTS	kW	AMPS	TEMPERATURE RISE °F						Recommended Wire Size
						1.5 GPM	2.0 GPM	2.5 GPM	3.0 GPM	4.0 GPM	5.0 GPM	
EX180T DR	T3,T2T	S,PEE	208V/120V Delta-no neutral leg	18kW	50A/phase	82°	61°	49°	41°	32°	25°	6 AWG per module
EX240T DR	T3,T2T	S,PEE	208V/120V Delta-no neutral leg	24kW	67A/phase	109°	82°	65°	54°	43°	34°	6 AWG per module
EX280T DR	T3,T2T	S,PEE	240V Single Phase	28kW	120(3x40)A	127°	95°	76°	64°	48°	38°	8 AWG per module
EX180T DR	T3,T2T	S,PEE	480Y/277V Neutral leg required	18kW	27A/phase	82°	61°	49°	41°	32°	25°	10 AWG per module
EX240T DR	T3,T2T	S,PEE	480Y/277V Neutral leg required	24kW	29A/phase	109°	82°	65°	54°	43°	34°	10 AWG per module
EX320T DR	T3,T2T	S,PEE	480Y/277V Neutral leg required	32kW	39A/phase	145°	109°	87°	73°	58°	45°	8 AWG per module

* Units can be used at 208V with 25% reduced output

TURN ON OPTIONS: T3 = Parallel, turn on 1.6 GPM, max 5 GPM
 T = Series, turn on .7 GPM, max 3.5 GPM

SPECIFICATIONS:



Color: Matte Black
 Operating Pressure: min 40 PSI, max 150 PSI
 Element: Replaceable cartridge insert Ni Chrome
 U.S. Patent #'s: 4,762,980 4,960,976
 UL Listed: E86887(M)

SPECIAL DESIGN SERVICE INQUIRIES FOR UNITS FOR UNIQUE APPLICATIONS ARE WELCOME. CALL OUR TECHNICAL SERVICE DEPT. 1-800-543-6163.

EEMAX SUBMITTAL

Engineer/Architect: _____
 Job Name/Customer: _____
 Location: _____
 Contractor: _____
 Representative: _____
 HEATER SPECIFICATIONS:

Digital Readout Model #	EX	DR	Option	Quantity	kW	Voltage	AMPS	GPM
_____	_____	_____	_____	_____	_____	_____	_____	_____

Eemax® Inc.

353 Christian Street, Oxford, CT 06478

www.eemax.com

Telephone: (203) 267-7890
 TOLL FREE: 1-800-543-6163
 FAX: (203) 267-7975